

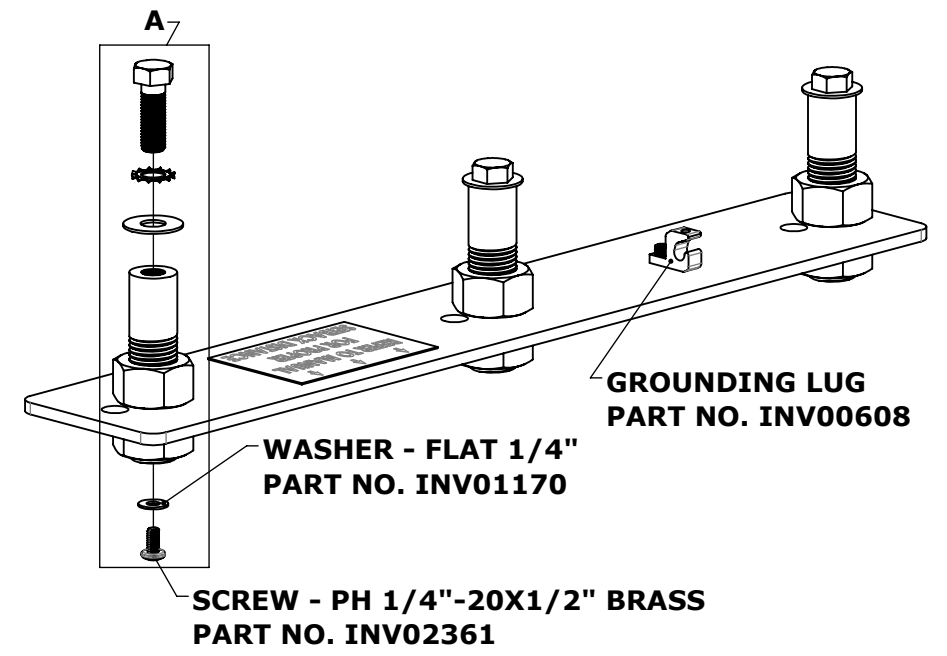
BOLT - HEX 1/2"-13X1 1/2"
PART NO. INV00388

WASHER - ET 1/2"
PART NO. INV01188

WASHER - FLAT 1/2"
PART NO. INV01169

ANCHOR - INSERT 1.00"X4.00" BONDABLE
PART NO. INV01582

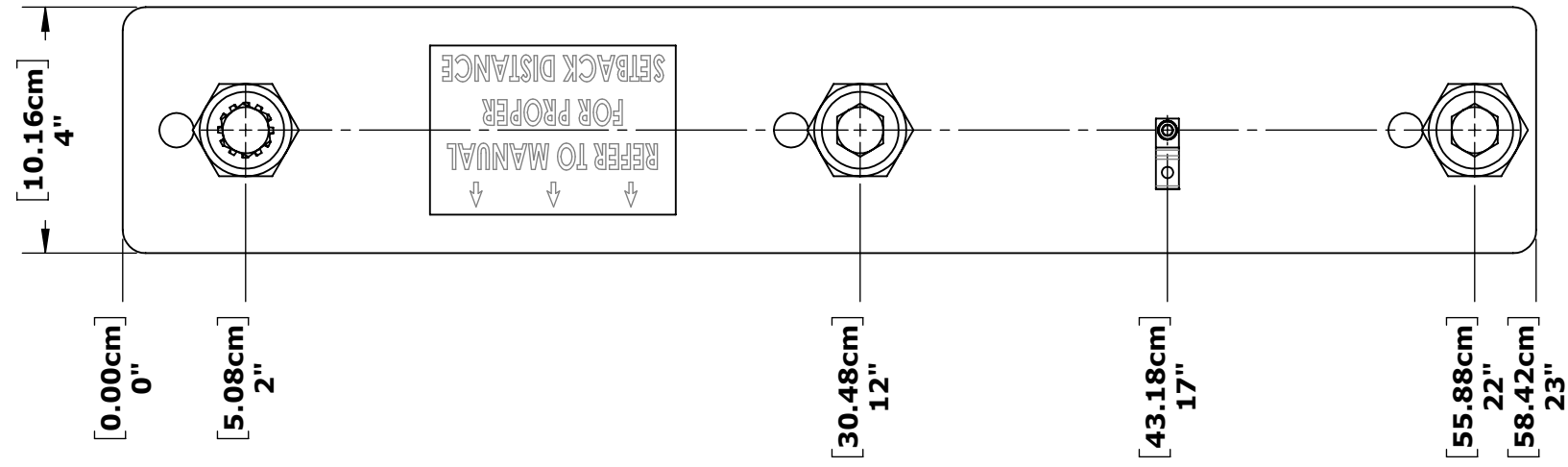
NUT - HEX 1"-8 ZINC
PART NO. INV00723



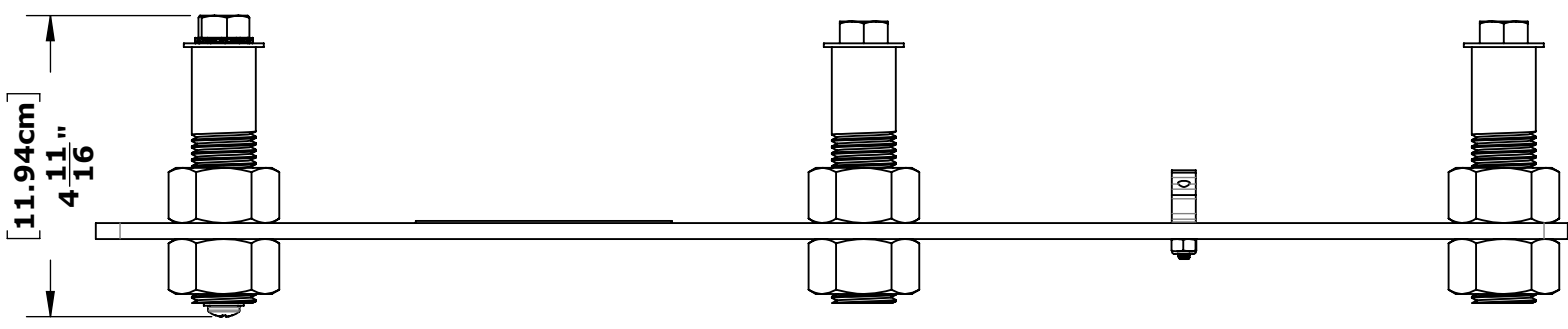
WASHER - FLAT 1/4"
PART NO. INV01170

GROUNDING LUG
PART NO. INV00608

SCREW - PH 1/4"-20X1/2" BRASS
PART NO. INV02361



EDGE OF POOL
REFER TO MANUAL FOR PROPER SETBACK



PURPOSE:

FOR NEW OR RETROFIT INSTALLATION OF THE ADA COMPLIANT POOL AND SPA LIFT ON IN-GROUND OR PARTIALLY RAISED POOLS AND SPAS. FOLLOW PRODUCT INSTALLATION INSTRUCTIONS.

TESTING & SAFETY:

INDEPENDENTLY VERIFIED TO MEET 2009 INTERNATIONAL BUILDING CODE, THE 2010 CALIFORNIA BUILDING CODE, AND ASCE7-05 WITH A SAFETY FACTOR OF 1.2 FOR THE DEAD LOAD AND 1.6 FOR THE LIVE LOAD WHEN INSTALLED ACCORDING TO INSTRUCTIONS. STRUCTURAL CALCULATIONS AVAILABLE UPON REQUEST.

INSTALLATION:

FOR INSTALLATION INTO REBAR REINFORCED, CONCRETE POOL DECKS NO SMALLER THAN 3'-6" SQUARE BY 6" DEEP. REFER TO LIFT INSTALLATION INSTRUCTIONS FOR SPECIFICS. MUST BE BONDED ACCORDING TO THE NEC ARTICLE 680. OTHER CODES MAY APPLY; CHECK YOUR LOCAL CODE ENFORCEMENT AGENCY FOR SPECIFICS AND PERMIT REQUIREMENTS.

DETAIL A
SCALE 1 : 2

TOLERANCES
DIMENSIONS ARE IN INCHES
UNLESS OTHERWISE SHOWN
FRACTIONAL: ±1/16
ANGULAR: ±1°
TWO PLACE DECIMAL: ±.01
THREE PLACE DECIMAL: .. ±.005

ANCHOR - EMBEDDED 4IN
OPTIONS/ACCESSORIES
PART NO. F-910SAJP

MATERIAL: STEEL
FINISH: MILL
APPROX. WEIGHT: 10.90 LBS.



9889 GARRYMORE LANE
MISSOULA, MT 59808
(406) 549-0769
FAX (406) 549-2602
www.AquaCreek.com

PROPRIETARY AND CONFIDENTIAL INFORMATION
THIS DRAWING AND ALL INFORMATION CONTAINED HEREIN IS THE SOLE PROPERTY OF AQUA CREEK PRODUCTS LLC. ANY REPRODUCTION IN PART OR AS A WHOLE WITHOUT WRITTEN PERMISSION FROM AQUA CREEK IS PROHIBITED.

REVISIONS			
REV.	DESCRIPTION	DATE	APPROVED
1	PRODUCTION RELEASE	5/28/2021	J.MAXWELL